



RQ*-P

PRESSURE RELIEF VALVES

SERIES 41

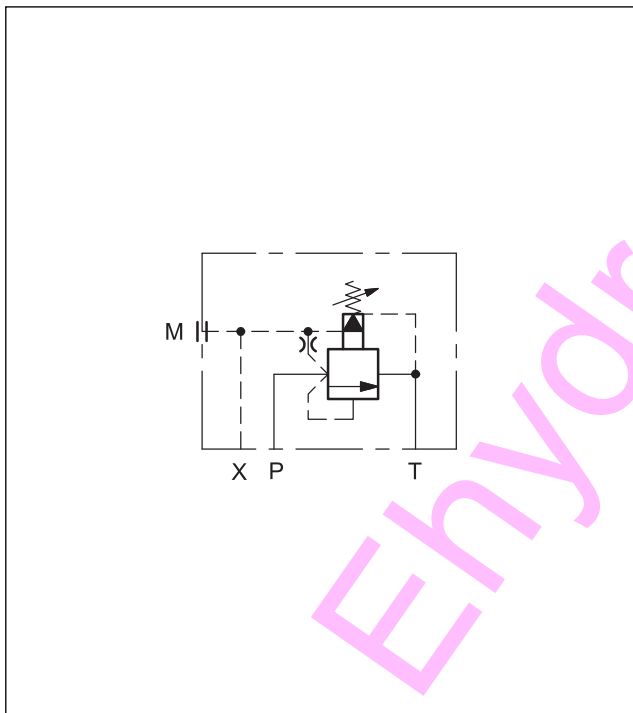
SUBPLATE MOUNTING

RQ3-P ISO 6264-06 (CETOP R06)

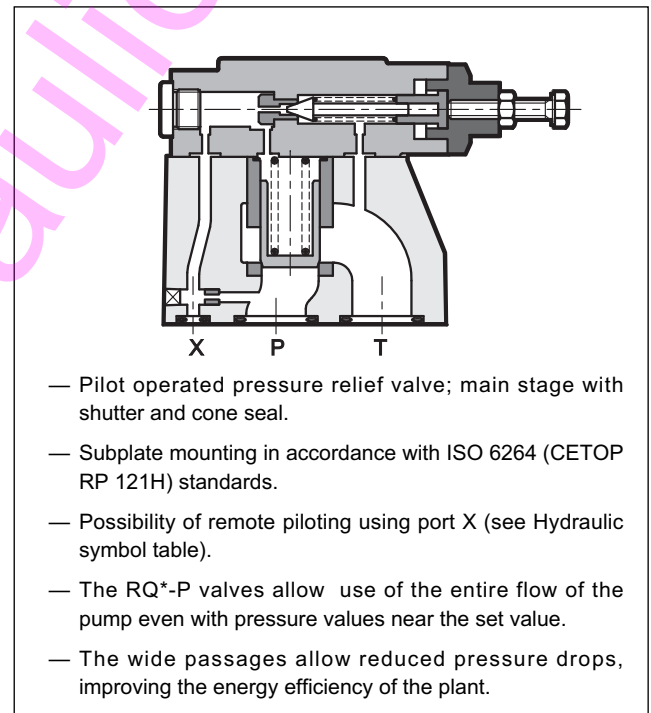
RQ5-P ISO 6264-08 (CETOP R08)

RQ7-P ISO 6264-10 (CETOP R10)

HYDRAULIC SYMBOL



OPERATING PRINCIPLE



PERFORMANCES (measured with mineral oil of viscosity 36 cSt at 50°C)

		RQ3-P	RQ5-P	RQ7-P
Maximum operating pressure	bar	350		
Maximum flow rate	l/min	200	400	500
Ambient temperature range	°C	-20 / +50		
Fluid temperature range	°C	-20 / +80		
Fluid viscosity range	cSt	10 + 400		
Fluid contamination degree	According to ISO 4406:1999 class 20/18/15			
Recommended viscosity	cSt	25		
Mass	kg	3,5	4,3	6,5

1 - IDENTIFICATION CODE

R	Q	-	P	/	/	41	/
----------	----------	----------	----------	----------	----------	-----------	----------

Double stage pressure relief valve

Size: **3** = ISO 6264-06 (CETOP R06)
5 = ISO 6264-08 (CETOP R08)
7 = ISO 6264-10 (CETOP R10)

Subplate mounting

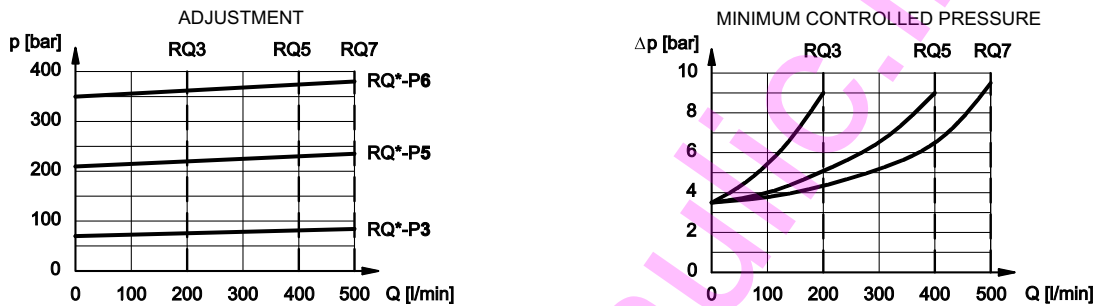
Pressure adjustment range: _____
3 = up to 70 bar **6** = up to 350 bar
5 = up to 210 bar

Seals: omit for mineral oils
V = viton for special fluids

Series No.
 (the overall and mounting dimensions remain unchanged from 40 to 49)

M = adjustment with SICBLOC knob
 (omit for adjustment with hexagonal head screw)

2 - CHARACTERISTIC CURVES (values obtained with viscosity of 36 cSt at 50°C)



3 - HYDRAULIC FLUIDS

Use mineral oil-based hydraulic fluids HL or HM type, according to ISO 6743-4. For these fluids, use NBR seals. For fluids HFDR type (phosphate esters) use FPM seals (code V). For the use of other kinds of fluid such as HFA, HFB, HFC, please consult our technical department. Using fluids at temperatures higher than 80 °C causes a faster degradation of the fluid and of the seals characteristics.

The fluid must be preserved in its physical and chemical characteristics.

4 - RQ3-P OVERALL AND MOUNTING DIMENSIONS

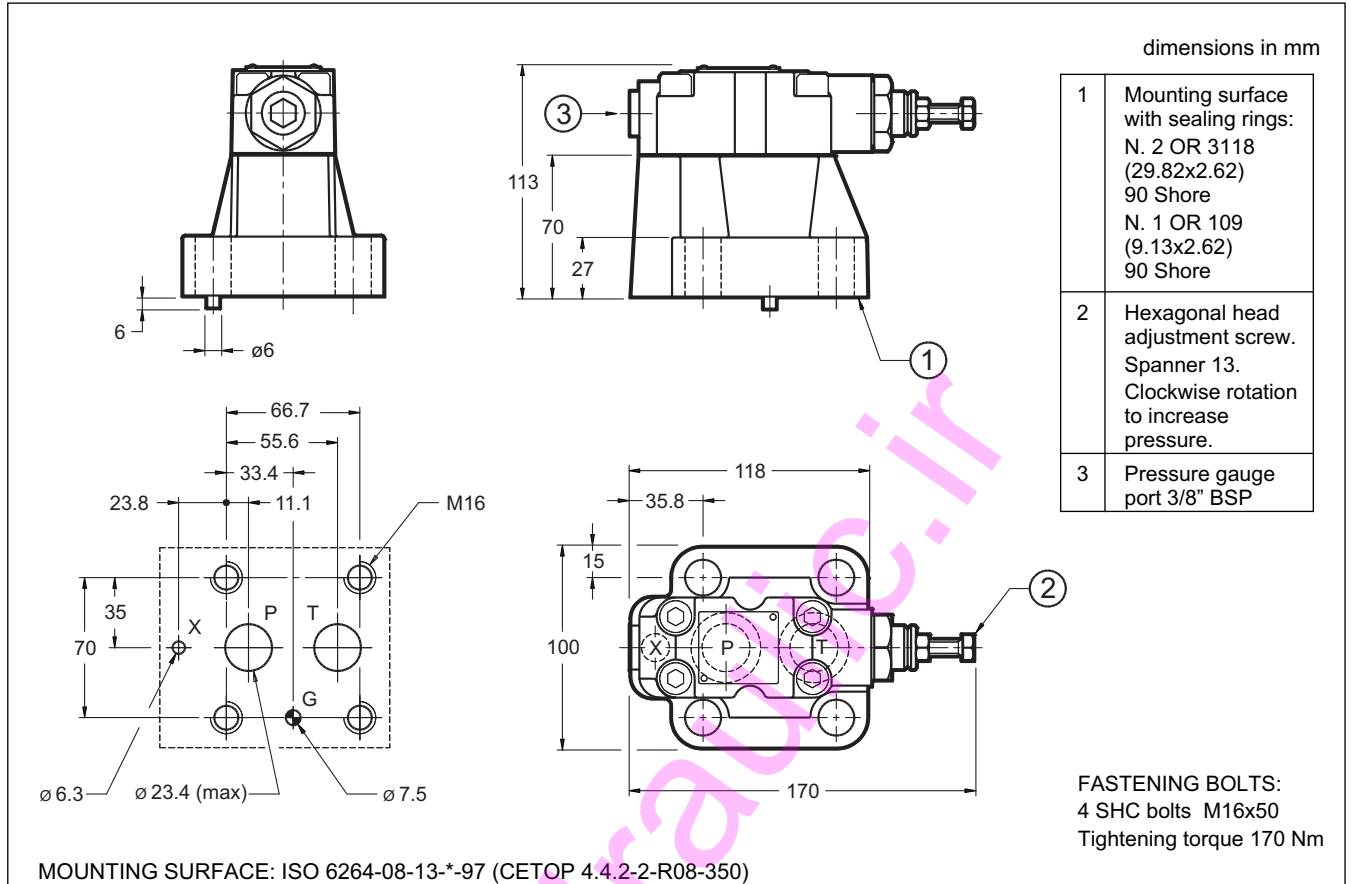
dimensions in mm

1	Mounting surface with sealing rings: 2 OR type 123 (17.86x2.62) 90 Shore 1 OR type 109 (9.13x2.62) 90 Shore
2	Hexagonal head adjustment screw. Spanner 13. Clockwise rotation to increase pressure.
3	Pressure gauge port Y 3/8" BSP

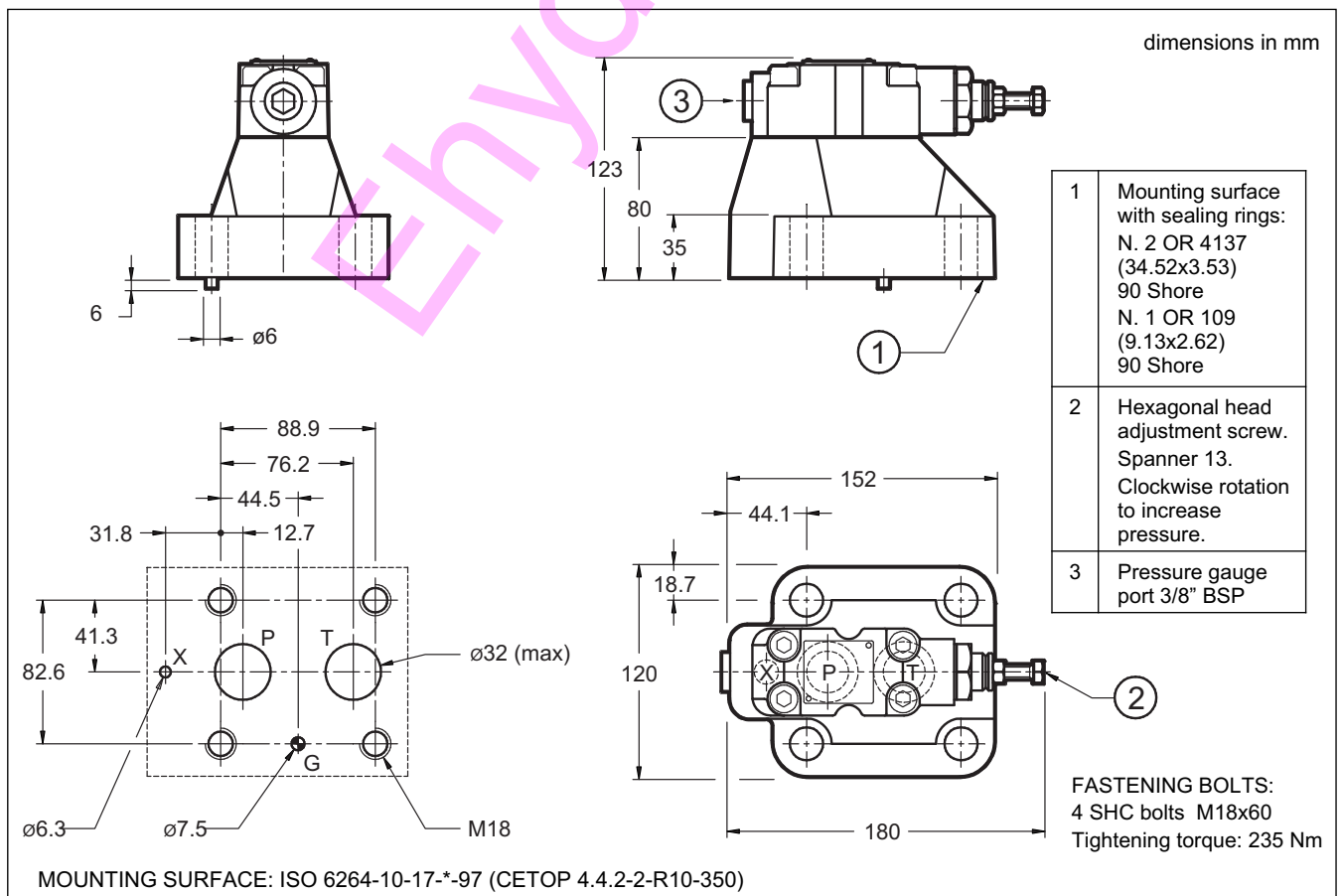
FASTENING BOLTS:
4 SHC bolts M12x40
Tightening torque: 69 Nm

MOUNTING SURFACE: ISO 6264-06-09-*-97 (CETOP 4.4.2-2-R06-350)

5 - RQ5-P OVERALL AND MOUNTING DIMENSIONS



6 - RQ7-P OVERALL AND MOUNTING DIMENSIONS

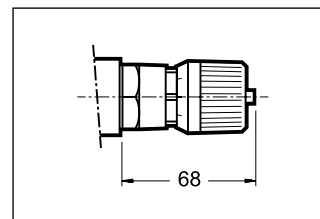




7 - ADJUSTMENT KNOB

The RQ valves can be equipped with a SICBLOC adjustment knob. To operate it, push and rotate at the same time.

To request this option, add: /M (see paragraph 1).



8 - SUBPLATES (see catalogue 51 000)

	RQ3-P	RQ5-P	RQ7-P
Type	PMRQ3-AI4G rear ports	PMRQ5-AI5G rear ports	PMRQ7-AI7G rear ports
P, T ports dimension	P: 1/2" BSP T: 3/4" BSP	1" BSP	1" 1/4 BSP
X port dimension	1/4" BSP	1/4" BSP	1/4" BSP

Ehydraulic.it



DIPLOMATIC OLEODINAMICA S.p.A.
20015 PARABIAGO (MI) • Via M. Re Depaolini 24
Tel. +39 0331.895.111
Fax +39 0331.895.339
www.diplomatic.com • e-mail: sales.exp@diplomatic.com